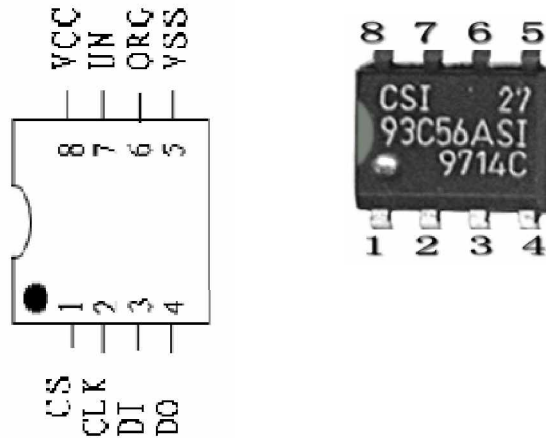


Chip Identifications



Chips: IC in which stores Mile/Km, audio code and anti-theft code and other data. Most of them have 8 pins; the data stored in can be read/written.

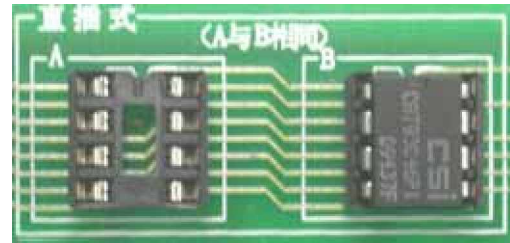
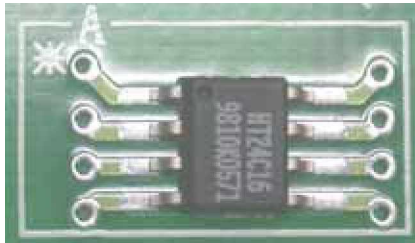
Adapters

Remove-free Adapter

- Only available for those we offer wiring diagrams.
- For the odometer with protected lacquer on the circuit board or IC, heat the lacquer and clear it and then to weld.
- Use the 8-colour cables to connect 8-pin (93/25 series) socket from the adapter to the 8 points marked on the wiring diagram, the first cable is for Pin1, and the second for Pin2...the 8th for Pin8.
- Check for correct welding before inserting the adapter into the instrument to adjust!!

Name	Function
93 series	93C14 93C46 93C56 93C86A S130 S220 C46M6 C56M6 C66M6 LC66 59C11 79101 CXK1011 .For cluster with 93 series ICs, such as Honda 2.4.
25 series	25Cxx 68343 For cluster with 25 series ICs, such as Santana 2000.
24 series	24Cxx 85Cxx D6253 D6254 BAW574252
14#93CS56	14#93CS56

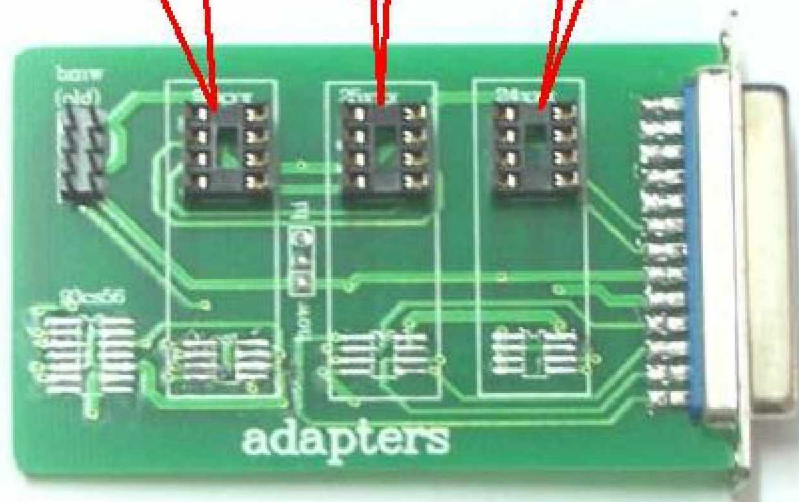
Chips Mounting

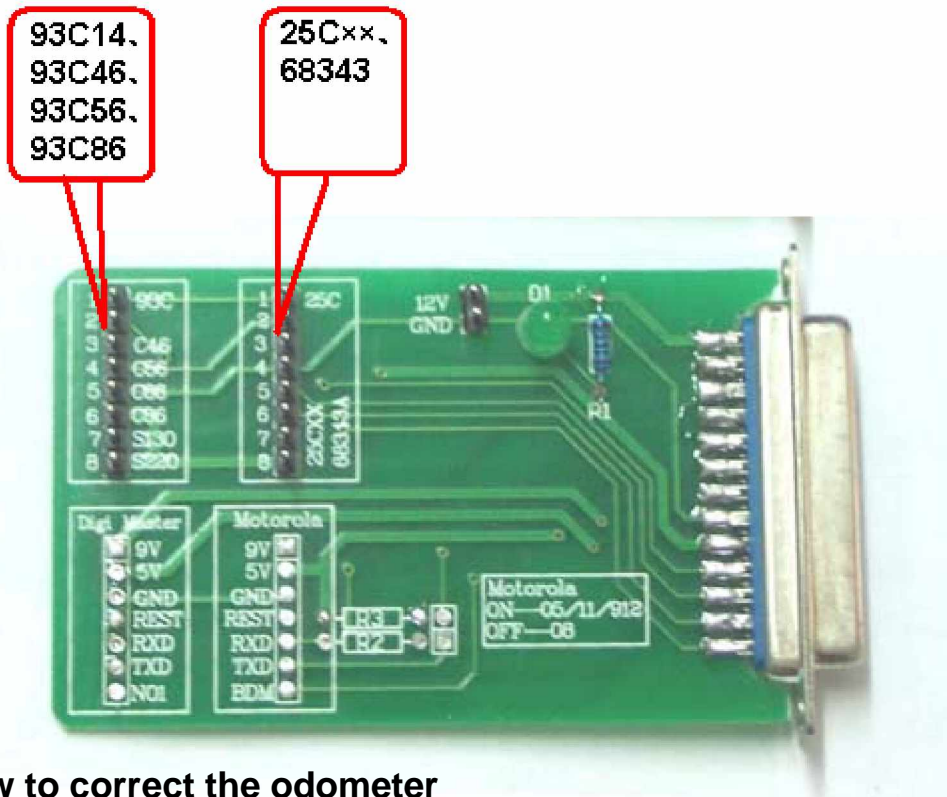


93C14、93C46、
93C56、93C86A、
S130、S220、
C46M6、C56M6、
C66M6、LC66、
59C11、79101、
CXK1011

25Cxx、68343

24Cxx、85Cxx、
D6253、D6254、
BAW574252





How to correct the odometer

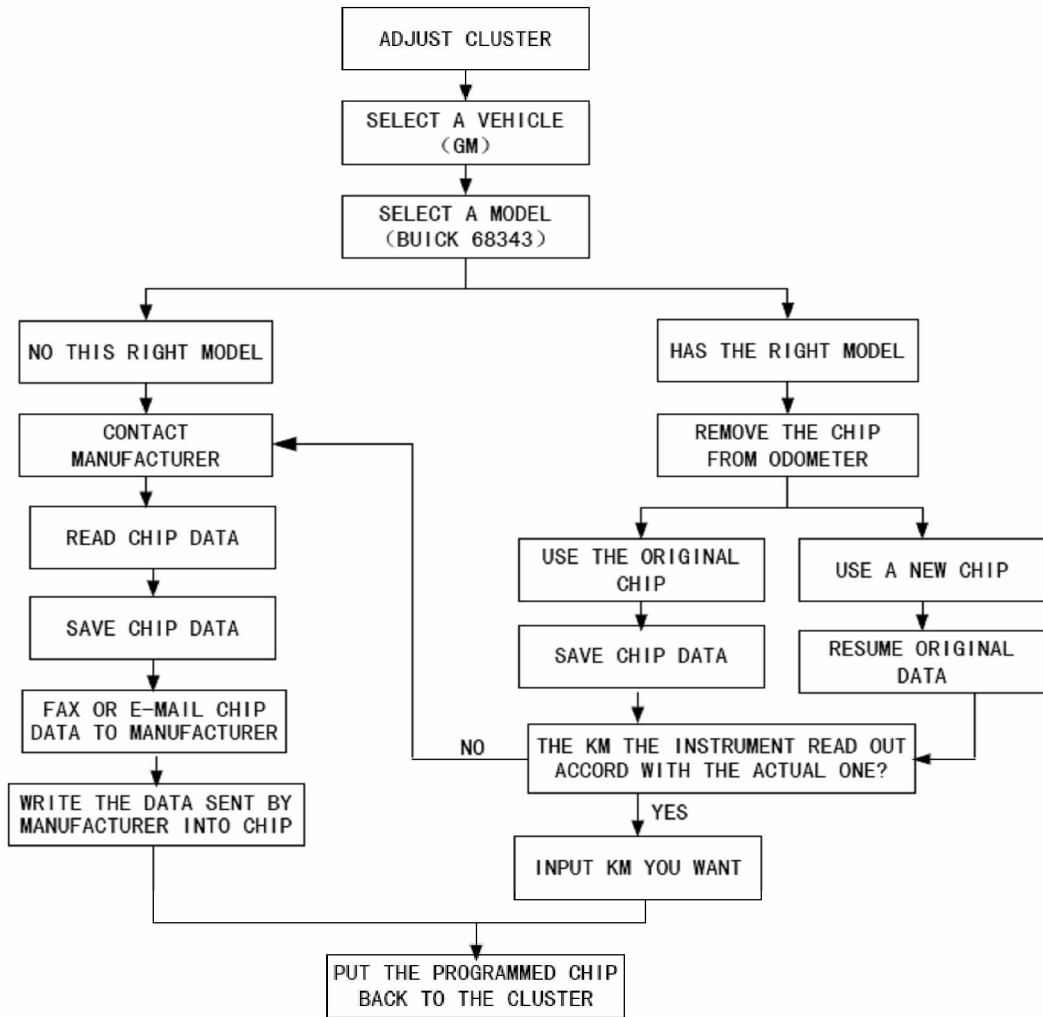
Cluster Adjusting

Operation:

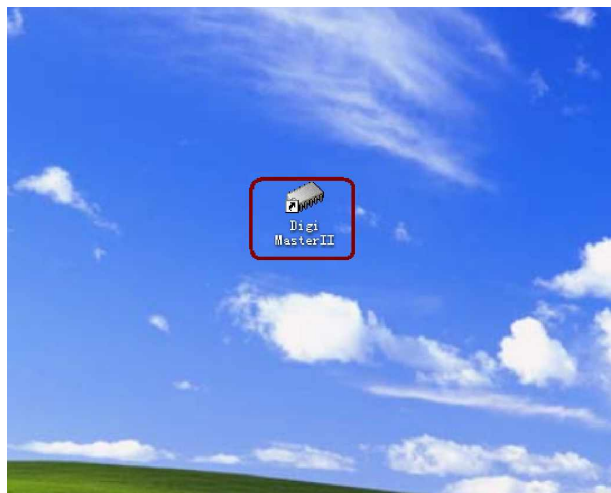
1. Types available please refer to Pictures and Charts Collection . If you have a car or cluster not listed to do, please contact the manufacturer. Do not try it yourself or use other type instead to adjust. Or the cluster may be damaged.
2. For some special clusters (say, with 2 chips), please refer to the pictures shown in Pictures and Charts Collection .
3. Some clusters whose hands cannot be pull out. Do read the appendix Attention for Cluster Adjusting first.
4. Save the data before any adjusting to avoid any data lost caused by chip damaged or mis-selecting the type. If data is not correct, it may cause car no start, cluster no displays, and cluster running incorrectly and cluster hand moving in disorder.
5. The instrument will auto-read the original kilometer when adjusting. If similar to the actual Km (difference should less than 100Km), it can be adjusted; otherwise, please contact the manufacturer for solution.
6. It has some original data except that the user saved. When data lost or using a new chip, the original data should be written into before adjusting, or the odometer cannot work properly. You can resume the original data you saved or select "Resume Data" operation to resume the data it has.

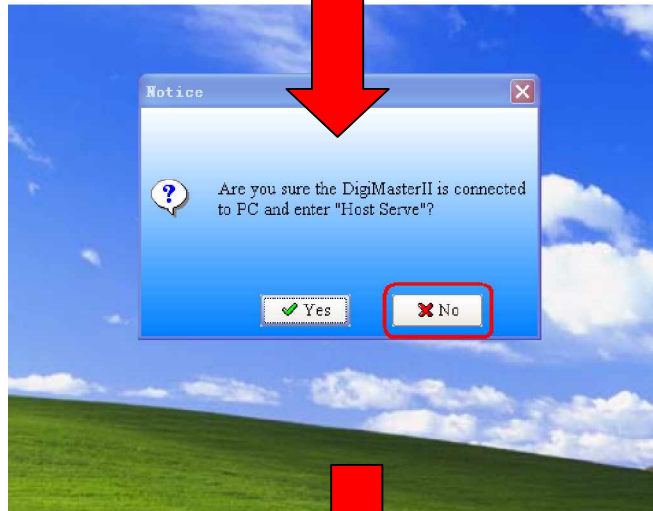
7. Should use the original chip to adjust. Use a new one when the original damaged.

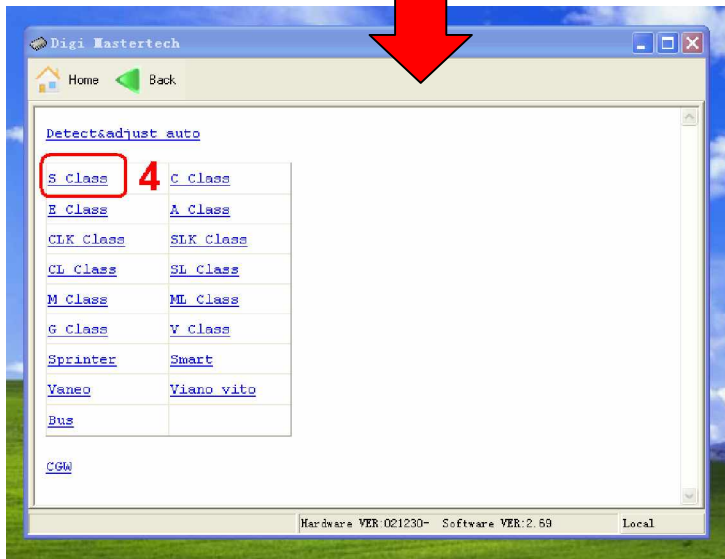
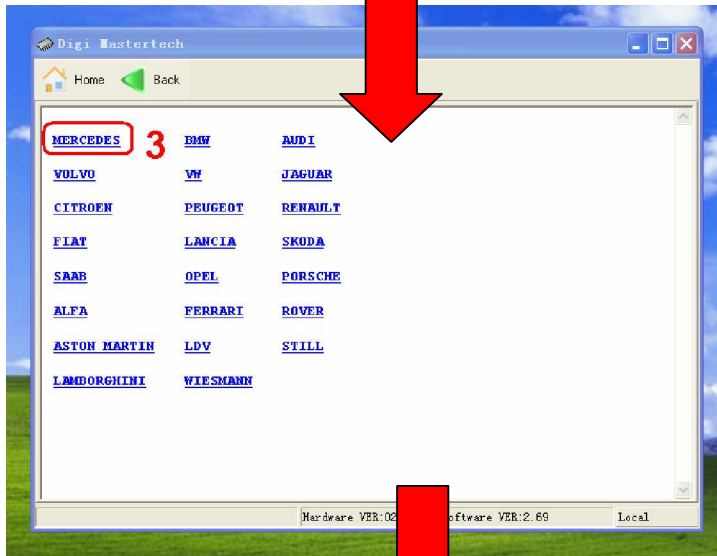
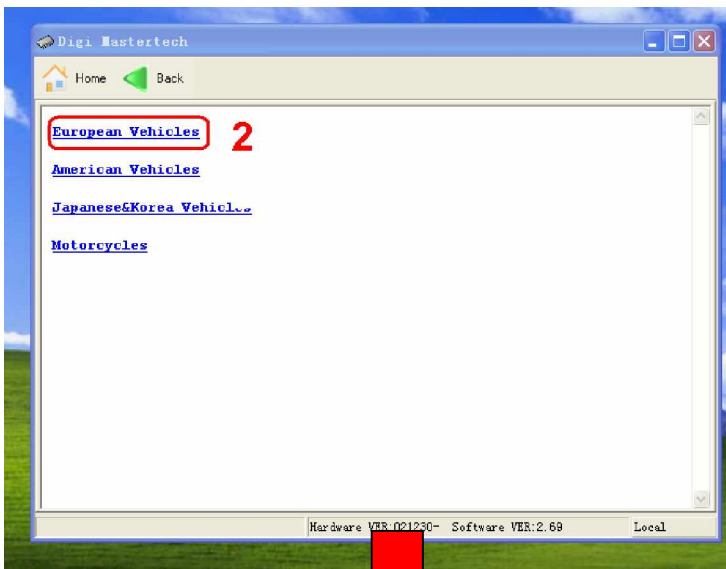
8. Odometer adjusting flow:

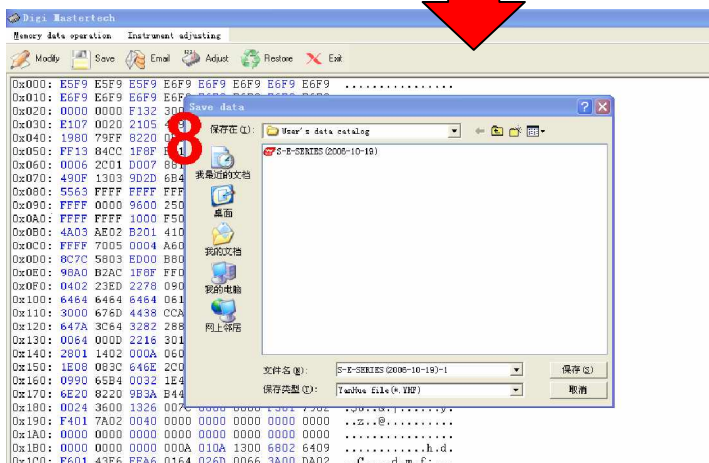
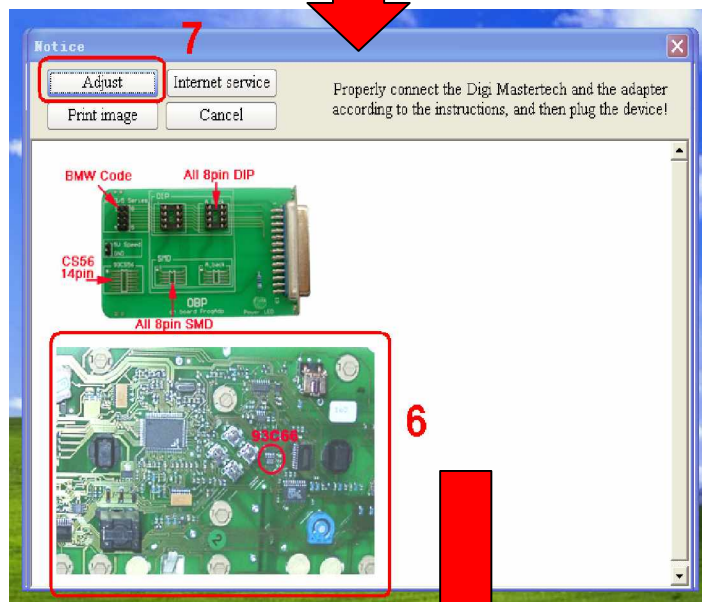
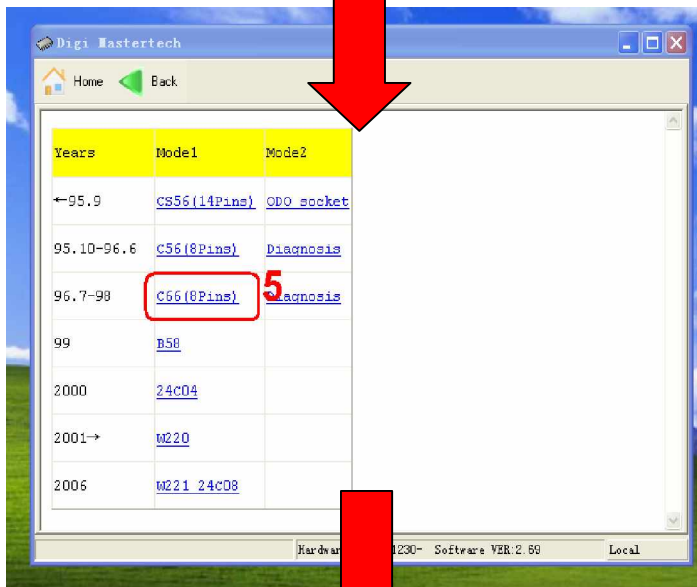


Example: Odometer **BENZ 1998/S320**









Digi MasterTech
Memory data operation Instrument adjusting

Modify Save Email Adjust Restore Exit

```
Ox000: E6F9 E6F9 E6F9 E6F9 E6F9 E6F9 E6F9 E6F9 .....  
Ox010: E6F9 E6F9 E6F9 E6F9 E6F9 E6F9 E6F9 E6F9 .....  
Ox020: 0000 0000 F132 3000 0000 DC98 CC21 4400 .....  
Ox030: E107 0020 2105 4095 4725 4597 2001 E20A .....  
Ox040: 1980 79FF 8220 0B57 6973 8E9F BEE4 0080 .....  
Ox050: FF13 84C0 1F8F FF1F BFFF 000A 8055 FFA0 .....  
Ox060: 0006 2C01 D007 8B13 5B1B 0000 E103 B90A .....  
Ox070: 490F 1303 902D 6B44 2B62 1C04 932E 7845 .....  
Ox080: 5563 FFFF FFFF FFFF FFFF FFFF FFFF FFFF .....  
Ox090: FFFF 0000 9600 2507 B10A 600F 525E 355F .....  
Ox0A0: FFFF FFFF 1000 F500 AD01 AC02 C903 BA03 .....  
Ox0B0: 4A03 AE02 9201 4100 FFFF FFFF FFFF FFFF .....  
Ox0C0: FFFF 7005 0004 A602 4D01 C700 0000 82A0 .....  
Ox0D0: 8C7C 5803 ED00 B800 FFFF 0150 6987 698B .....  
Ox0E0: 98A0 B2AC 1F8F FF00 0000 0000 FFFF 0549 .....  
Ox0F0: 0402 23E0 2278 0902 7F7F 0001 FFFF FF7F .....  
Ox100: 6464 6464 6464 061E 920F 0A1E 1237 454F .....  
Ox110: 3000 676D 4438 CCAA 4E5E 0518 415E 5A75 .....  
Ox120: 647A 3C64 3282 2887 0BC8 0209 0313 0036 .....  
Ox130: 0064 0000 2216 301F 3B2F 3F3F 4346 445E .....  
Ox140: 2801 1402 000A 0602 0002 0506 3C0A 0A3C .....  
Ox150: 1E08 083C 646E 2C01 0703 0B10 150D 00C4 .....  
Ox160: 0990 6584 0032 1E41 4B87 AF6D 005D 5A26 .....  
Ox170: 6E20 8220 9B3A B446 C800 C802 0F00 7205 .....  
Ox180: 0024 3600 1326 007C 0600 0000 F301 7902 .....  
Ox190: F401 7A02 0040 0000 0000 0000 0000 0000 .....  
Ox1A0: 0000 0000 0000 0000 0000 0000 0000 0000 .....  
Ox1B0: 0000 0000 0000 000A 010A 1300 6802 6409 .....  
Ox1C0: E601 43F6 FFA6 0164 026D 0066 3A00 DA02 .....  
Ox1D0: 6404 6D00 773A 00DA 0264 006D 0098 3A00 .....  
Ox1E0: DA02 6400 1100 DC19 0000 0000 0000 003E .....  
Ox1F0: 350A 390F 4725 5445 7077 7D98 96C8 BFFF .....
```

Auto-Benz Type: S-R-SERIES Hardware VER: 021230- Software Local

Notice

Current detected mileage:49984KM,be sure to adjust?

Yes No

Digi MasterTech
Memory data operation Instrument adjusting

Modify Save Email Adjust Restore Exit

```
Ox000: E6F9 E6F9 E6F9 E6F9 E6F9 E6F9 E6F9 E6F9 .....  
Ox010: E6F9 E6F9 E6F9 E6F9 E6F9 E6F9 E6F9 E6F9 .....  
Ox020: 0000 0000 F132 3000 0000 DC98 CC21 4400 .....  
Ox030: E107 0020 2105 4095 4725 4597 2001 E20A .....  
Ox040: 1980 79FF 8220 0B57 6973 8E9F BEE4 0080 .....  
Ox050: FF13 84C0 1F8F FF1F BFFF 000A 8055 FFA0 .....  
Ox060: 0006 2C01 D007 8B13 5B1B 0000 E103 B90A .....  
Ox070: 490F 1303 902D 6B44 2B62 1C04 932E 7845 .....  
Ox080: 5563 FFFF FFFF FFFF FFFF FFFF FFFF FFFF .....  
Ox090: FFFF 0000 9600 2507 B10A 600F 525E 355F .....  
Ox0A0: FFFF FFFF 1000 F500 AD01 AC02 C903 BA03 .....  
Ox0B0: 4A03 AE02 9201 4100 FFFF FFFF FFFF FFFF .....  
Ox0C0: FFFF 7005 0004 A602 4D01 C700 0000 82A0 .....  
Ox0D0: 8C7C 5803 ED00 B800 FFFF 0150 6987 698B .....  
Ox0E0: 98A0 B2AC 1F8F FF00 0000 0000 FFFF 0549 .....  
Ox0F0: 0402 23E0 2278 0902 7F7F 0001 FFFF FF7F .....  
Ox100: 6464 6464 6464 061E 920F 0A1E 1237 454F .....  
Ox110: 3000 676D 4438 CCAA 4E5E 0518 415E .....  
Ox120: 647A 3C64 3282 2887 0BC8 0209 0313 0036 .....  
Ox130: 0064 0000 2216 301F 3B2F 3F3F 4346 445E .....  
Ox140: 2801 1402 000A 0602 0002 0506 3C0A 0A3C .....  
Ox150: 1E08 083C 646E 2C01 0703 0B10 150D 00C4 .....  
Ox160: 0990 6584 0032 1E41 4B87 AF6D 005D 5A26 .....  
Ox170: 6E20 8220 9B3A B446 C800 C802 0F00 7205 .....  
Ox180: 0024 3600 1326 007C 0600 0000 F301 7902 .....  
Ox190: F401 7A02 0040 0000 0000 0000 0000 0000 .....  
Ox1A0: 0000 0000 0000 000A 010A 1300 6802 6409 .....  
Ox1B0: E601 43F6 FFA6 0164 026D 0066 3A00 DA02 .....  
Ox1C0: E601 43F6 FFA6 0164 026D 0066 3A00 DA02 .....  
Ox1D0: 6404 6D00 773A 00DA 0264 006D 0098 3A00 .....  
Ox1E0: DA02 6400 1100 DC19 0000 0000 0000 003E .....  
Ox1F0: 350A 390F 4725 5445 7077 7D98 96C8 BFFF .....
```

Auto-Benz Type: S-R-SERIES Hardware VER: 021230- Software Local

Adjust odometer

Enter mileage: 12000

Kilometer Mile

OK Cancel

Digi MasterTech
Memory data operation Instrument adjusting

Modify Save Email Adjust Restore Exit

```
Ox000: A4FD A4FD A4FD A4FD A4FD A4FD A4FD A4FD .....  
Ox010: A4FD A4FD A4FD A4FD A4FD A4FD A4FD A4FD .....  
Ox020: 0000 0000 F132 3000 0000 DC98 CC21 4400 .....  
Ox030: E107 0020 2105 4095 4725 4597 2001 E20A .....  
Ox040: 1980 79FF 8220 0B57 6973 8E9F BEE4 0080 .....  
Ox050: FF13 84C0 1F8F FF1F BFFF 000A 8055 FFA0 .....  
Ox060: 0006 2C01 D007 8B13 5B1B 0000 E103 B90A .....  
Ox070: 490F 1303 902D 6B44 2B62 1C04 932E 7845 .....  
Ox080: 5563 FFFF FFFF FFFF FFFF FFFF FFFF FFFF .....  
Ox090: FFFF 0000 9600 2507 B10A 600F 525E 355F .....  
Ox0A0: FFFF FFFF 1000 F500 AD01 AC02 C903 BA03 .....  
Ox0B0: 4A03 AE02 9201 4100 FFFF FFFF FFFF FFFF .....  
Ox0C0: FFFF 7005 0004 A602 4D01 C700 0000 82A0 .....  
Ox0D0: 8C7C 5803 ED00 B800 FFFF 0150 6987 698B .....  
Ox0E0: 98A0 B2AC 1F8F FF00 0000 0000 FFFF 0549 .....  
Ox0F0: 0402 23E0 2278 0902 7F7F 0001 FFFF FF7F .....  
Ox100: 6464 6464 6464 061E 920F 0A1E 1237 454F .....  
Ox110: 3000 676D 4438 CCAA 4E5E 0518 415E 5A75 .....  
Ox120: 647A 3C64 3282 2887 0BC8 0209 0313 0036 .....  
Ox130: 0064 0000 2216 301F 3B2F 3F3F 4346 445E .....  
Ox140: 2801 1402 000A 0602 0002 0506 3C0A 0A3C .....  
Ox150: 1E08 083C 646E 2C01 0703 0B10 150D 00C4 .....  
Ox160: 0990 6584 0032 1E41 4B87 AF6D 005D 5A26 .....  
Ox170: 6E20 8220 9B3A B446 C800 C802 0F00 7205 .....  
Ox180: 0024 3600 1326 007C 0600 0000 F301 7902 .....  
Ox190: F401 7A02 0040 0000 0000 0000 0000 0000 .....  
Ox1A0: 0000 0000 0000 000A 010A 1300 6802 6409 .....  
Ox1B0: E601 43F6 FFA6 0164 026D 0066 3A00 DA02 .....  
Ox1C0: E601 43F6 FFA6 0164 026D 0066 3A00 DA02 .....  
Ox1D0: 6404 6D00 773A 00DA 0264 006D 0098 3A00 .....  
Ox1E0: DA02 6400 1100 DC19 0000 0000 0000 003E .....  
Ox1F0: 350A 390F 4725 5445 7077 7D98 96C8 BFFF .....
```

Auto-Benz Type: S-R-SERIES Hardware VER: 021230- Software VER: 2.69 Local

Status

Writing data into the device...

40 %

Timer(s) 0

Install the IC onto the cluster; make sure to the direction of the IC is correct.