

CONDOR

Automatic Key Cutting Machine

XC-007

User Manual

V1.2

Table of Contents

1) Safety Precautions and Warnings	3
2) General Information	4
3) Packing List	5
4) Overview	
4.1 Machine overview	8
4.2 Specification	9
5) Installation	
5.1 Cutter installation	10
5.2 Cutter release	11
5.3 Clamp installation	12
5.4 Clamp base wiring	13
6) Operating instructions	
6.1 Leveling cutter and probe	14
6.2 X1 Initialization	16
6.3 X2 Initialization	18
6.4 Factory mode	19
1. Enter factory mode	19
2. Calibration method 1 (using dual probe)	20
3. Calibration method 2 (cutting a blank key)	21
6.5 Key cutting method 1 (Known key blank name and bit code)	22
6.6 Key cutting method 2 (From key database)	23
6.7 Key cutting method 3 (Copy key from existing key)	26
6.8 Find bitting	28
7) Online Update	31

1 . Safety Precautions and Warnings

To prevent personal injury or damage to machine, read this instruction manual first and observe the following safety precautions:

- Always work on machine in a safe environment.
- Wear safety eye protection that meets ANSI standards.
- Keep protection mask closed when machine is working.
- Keep clothing, hair, hands, tools, test equipment, etc. away from all moving parts.
- Keep an eye on machine when machine work, do not far from machine.
- Do not use damage or loosen power cord.
- Unplug the power cord when not in use for a long time.
- Do not place machine in wet, oily, dusty area.
- Do not place any tool, container on the machine.
- Place the machine on a level and firm surface.
- Keep the machine clean and dry.
- Turn off the power immediately when any exception occurs.

2 . General Information










Thank you for choosing CONDOR XC-007 Automatic Key Cutting Machine.

This manual includes the use of equipment notes, please read this manual carefully before use so that you can correctly use it.


All rights reserved. No part of this publication may be reproduced, stored in a retrieval system, or transmitted, in any form, or by any means, mechanical, electronic, photocopying, recording, or otherwise, without permission. Due to continuous product improvement, the information contained in this manual is subject to change without notice.

3. Packing List

The whole package covers the following items, if missing, please contact your dealer.

Name	Image	Quantity	Description
2.5mm Cutter		1	Cutting tool (Ø2.5xØ6x40L)
1.5mm Cutter		1	Cutting tool (Ø1.5xØ6x40L)
1.0mm Probe		2	Detection tool (Ø1.0xØ6x40L)
4mm Allen wrench		1	Tool for pads installation
2mm Allen wrench		1	Tool for probe installation
Spindle drive belt		1	Spares. (Ø 3mm X Ø 75mm)
Power cord		1	(L 1.5m)
USB cable		1	Connect machine to PC. (L 2.0m)
Brush		1	Tool for clean machine

X1 Fixture		1	Fixture
X2 Fixture		1	Fixture
Keymachine body		1	
Protective cover		1	
Pads		4	Install with 4mm allen wrench
Driver CD		1	
Quality certificate		1	
Packing List		1	

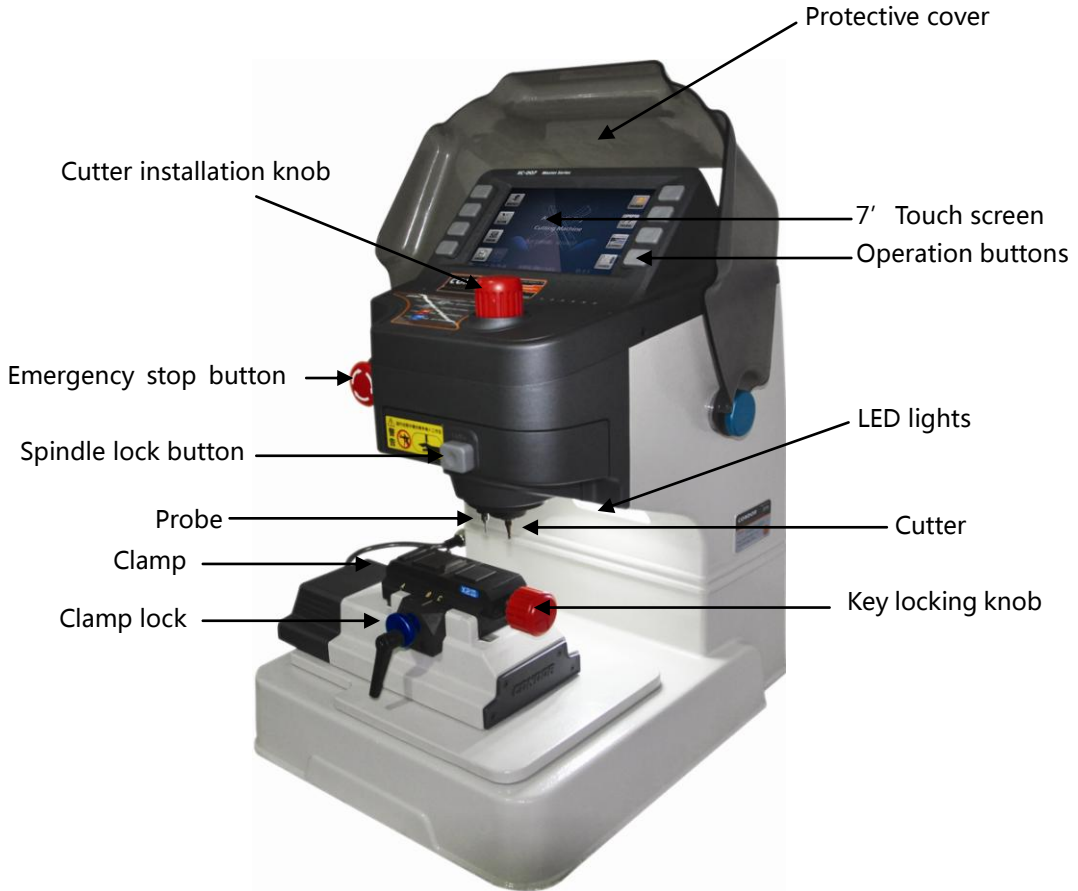
User manual		1	
-------------	---	---	--

Note:

- Replace the cutter regularly to ensure good cutting results.
- Spindle drive belt and timing belt stepper motor requires regular inspections degree of wear, excessive wear and tear please change to ensure the accuracy of the cutting force and the machine is running.
- Please use the 10A fuse.

4. Overview

4.1 Machine Overview

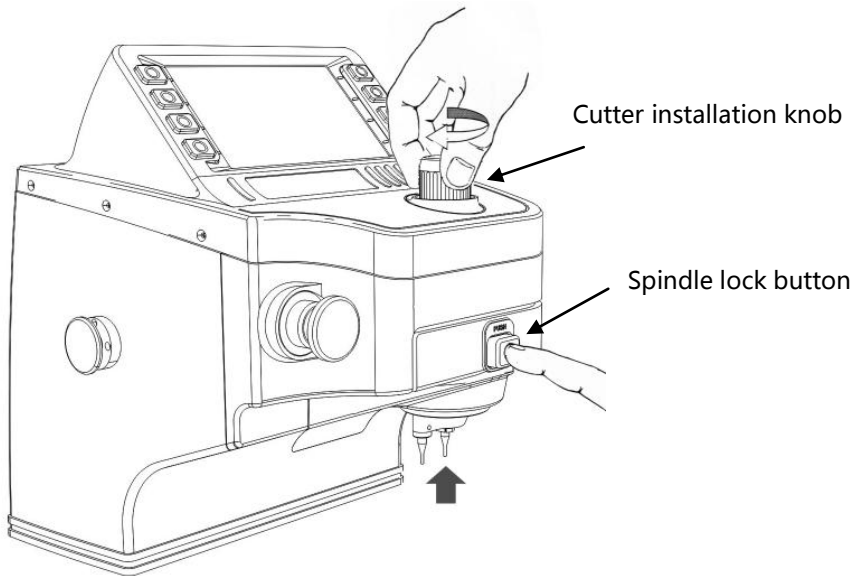


4.2 Specifications

Input Voltage	AC110V/220V
Input Frequency	47~63Hz
Consume	220W
Packing Dimensions	L 460×W 520×H 620 (mm)
Machine Dimensions	L 336×W 407×H 490 (mm)
Display	800×480
Spindle Speeds	12,000 rpm
USB	USB2.0
Working Temperature	0~50°C
Humidity	10~90%
Net Weight	31Kg
Gross Weight	35Kg

5. Installation

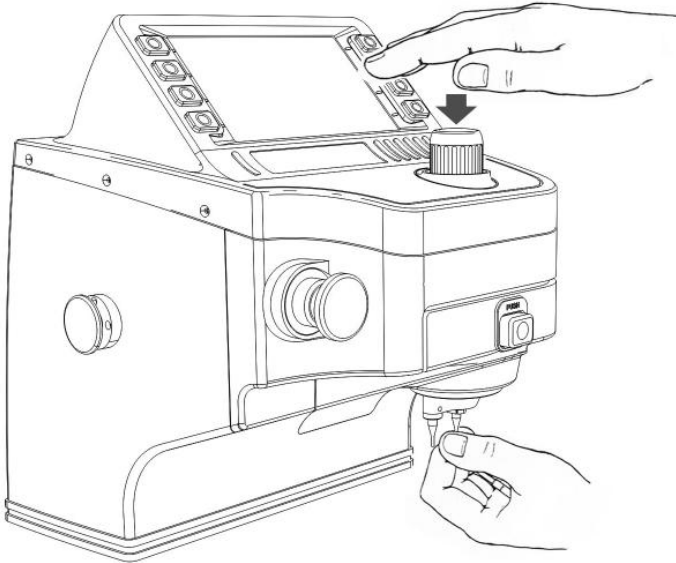
5.1 Cutter installation



Cutter installation steps:

- 1) Put the cutter into the jacket.
- 2) Press and hold "Spindle lock button".
- 3) Turn clockwise "Cutter installation knob", "Spindle lock button" will take advantage into the positioning hole on spindle; continue turn clockwise until the cutter tightens.

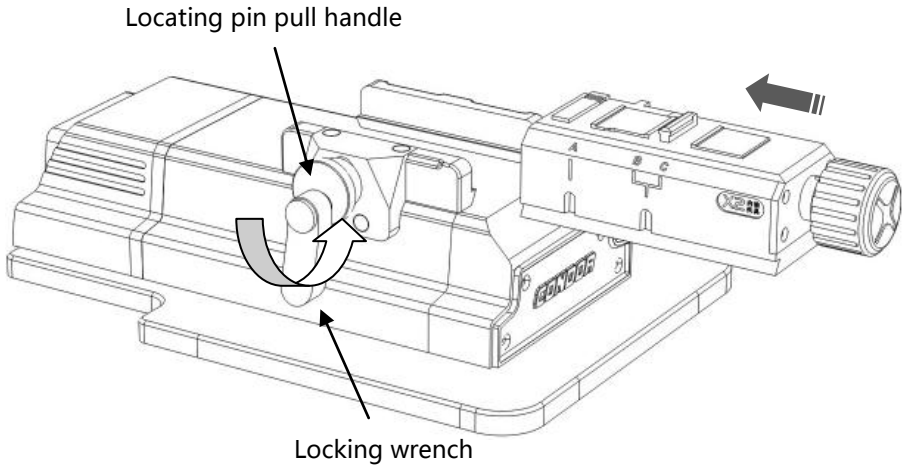
5.2 Cutter release



Cutter release steps:

- 1) Press and hold "Spindle lock button", turn counterclockwise "Cutter installation knob" to loosen cutter.
- 2) Hold the cutter when loosen it to prevent fallen damage to cutter.
- 3) If the cutter chuck tightly, pat down "Cutter installation knob" gently.

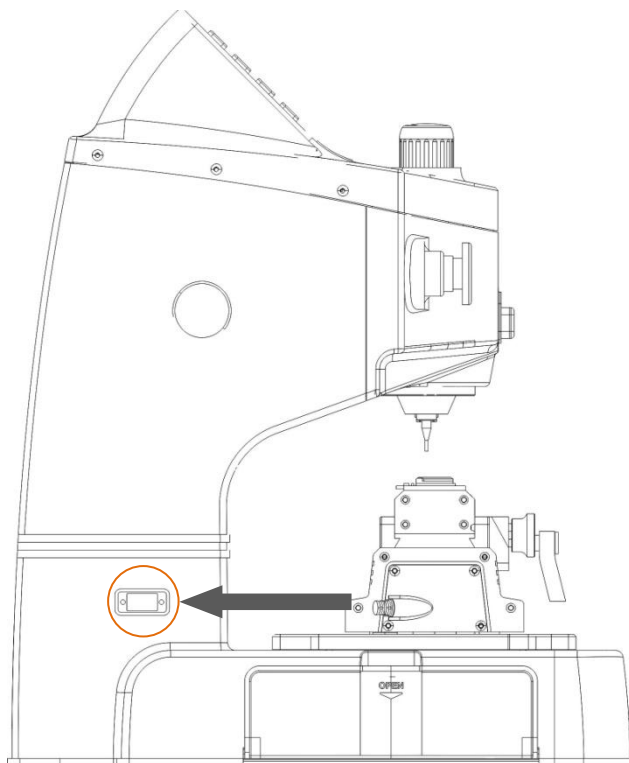
5.3 Clamp installation



Clamp installation steps:

- 1) Turn counterclockwise "Locking wrench" to loosen.
- 2) Pull out "Locating pin pull handle".
- 3) Push the clamp from the right side of the clamp base, choose corresponding anchor point according to the key type.
- 4) Turn counterclockwise "Locking wrench" to tighten clamp.

5.4 Clamp base wiring



- 1) Connect wire to the connector and tighten.

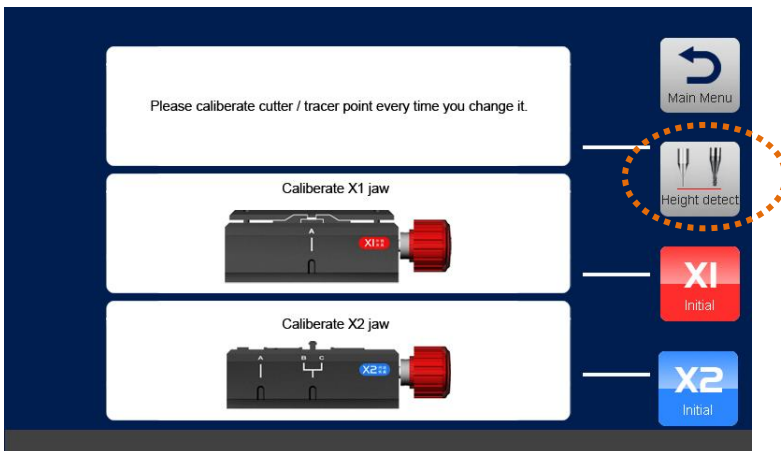
6. Operating instructions

Please initial device before use:

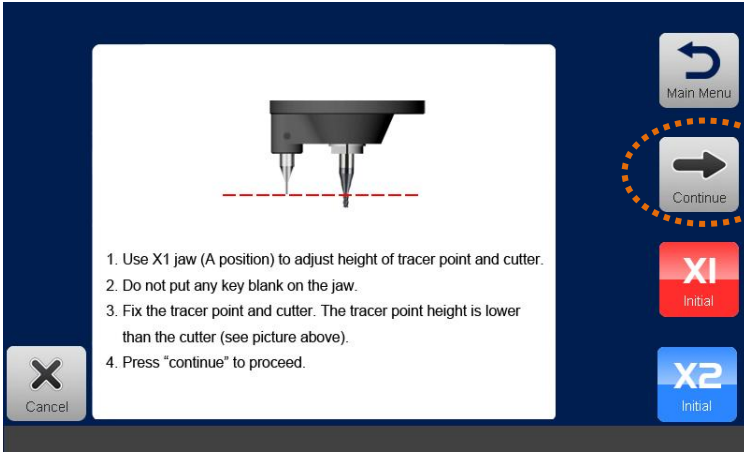
6.1 Leveling cutter and probe



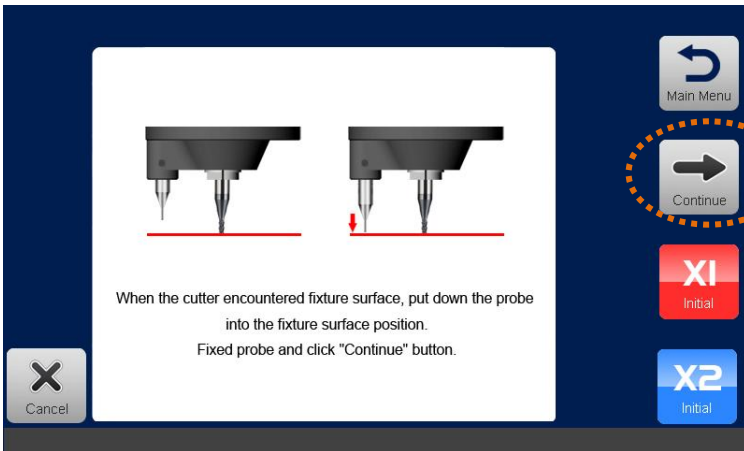
1) Click "Machine Initial" button



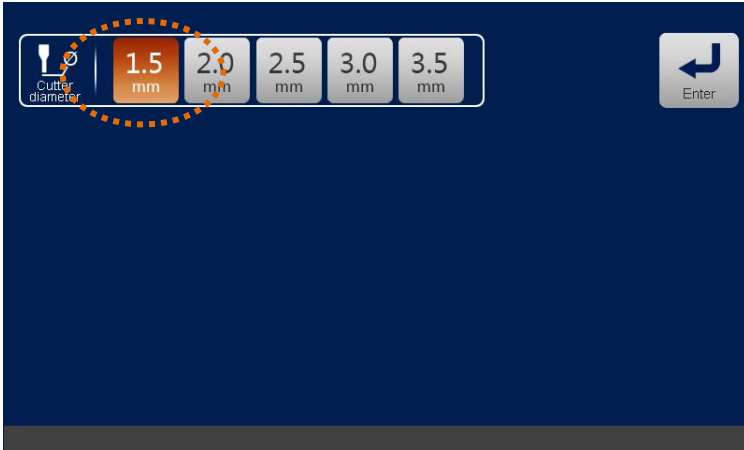
2) Click "Height detect" button



3) Follow the steps on the screen, then click "Continue" button



4) Follow the steps on the screen, then click "Continue" button

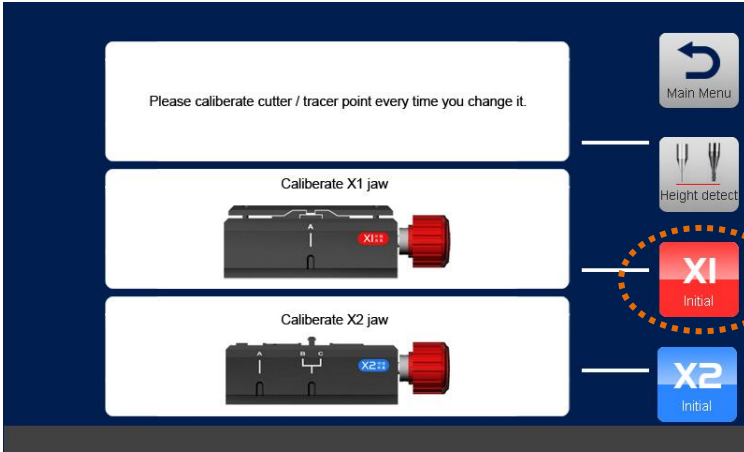


5) Select cutter diameter, click "Enter" button to finish

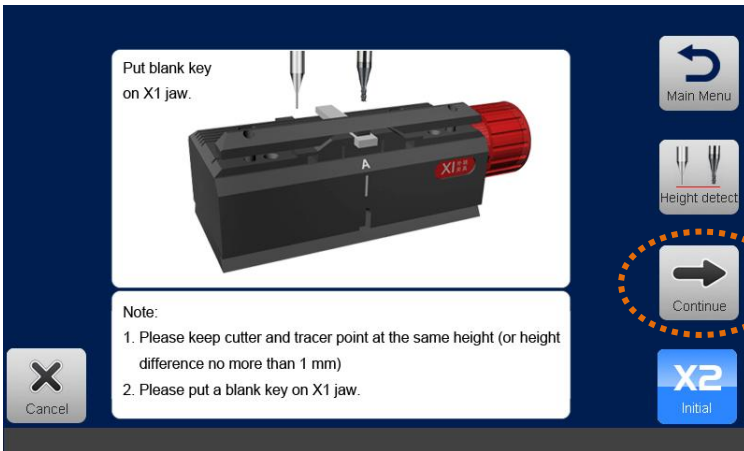
6.2 X1 Initialization



1) Click "Machine Initial" button

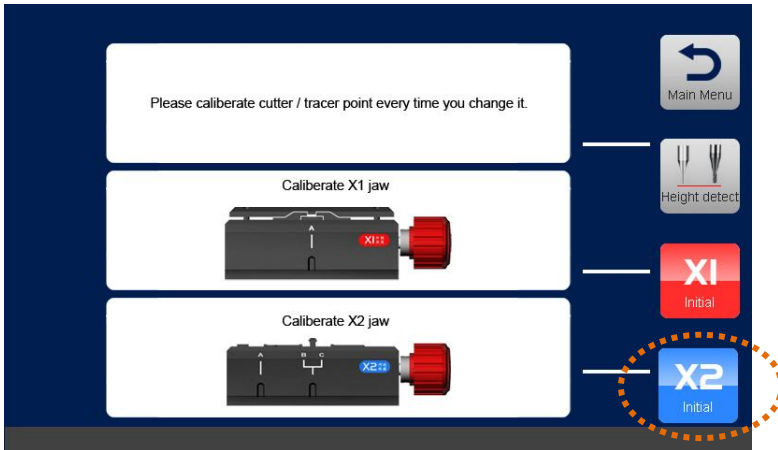


2) Click "X1 Initial" button

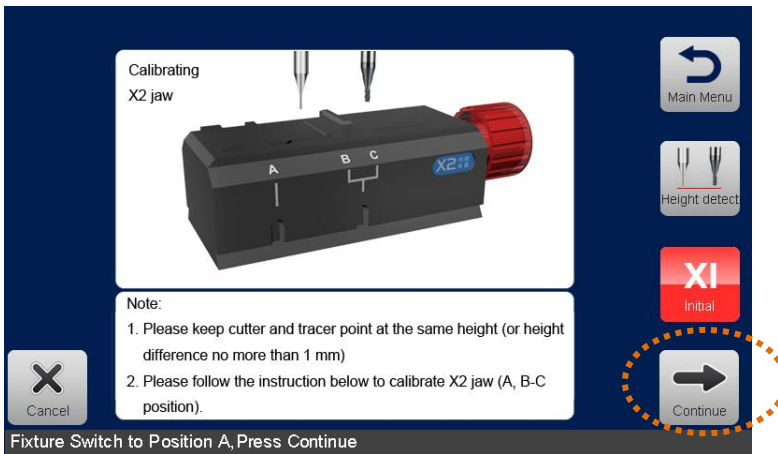


3) Follow the steps on the screen, then click "Continue" button

6.3 X2 Initialization



1) Click "X2 Initial" button



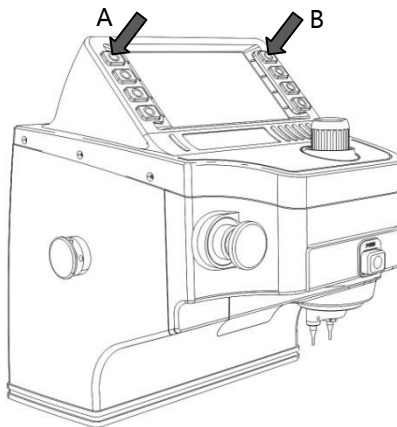
2) Follow the steps on the screen, then click "Continue" button



3) Follow the steps on the screen, then click "Continue" button

6.4 Factory mode

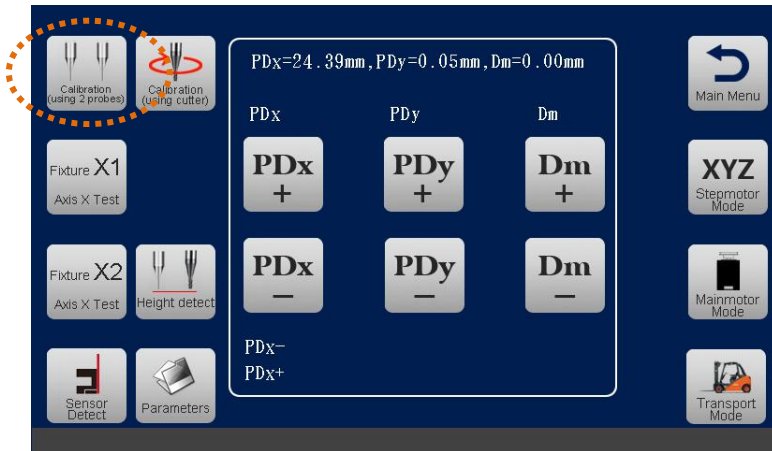
1) Enter factory mode



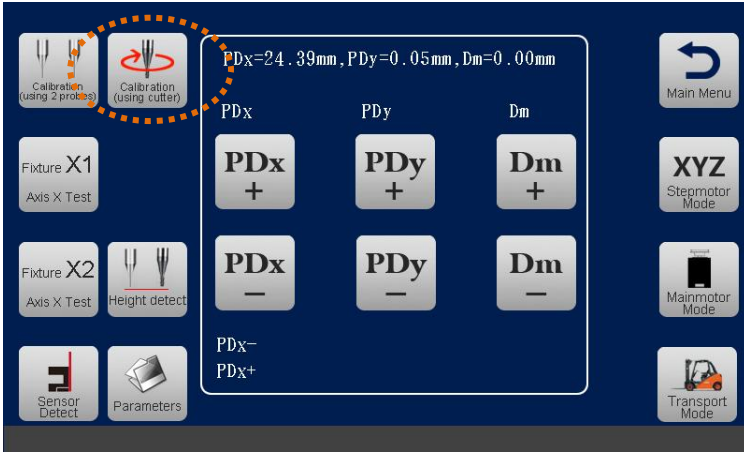
Press and hold BOTH A and B button, then power on the machine.



Click "Factory Mode" button



2) Calibration method 1 (using dual probe)



3) Calibration method 2 (cutting a blank key)



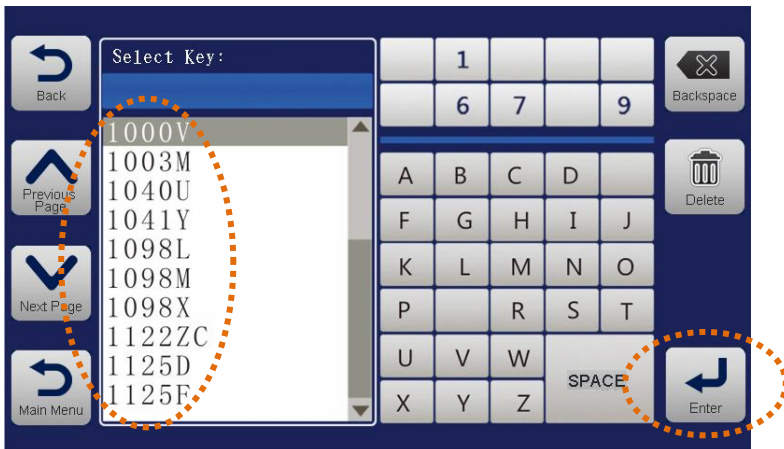
4) Follow the steps on the screen, then click "Continue" button

Note: You can choose either Method 1 or Method 2 to calibrate machine.

6.5 Key cutting method 1 (Known key blank name and bit code)

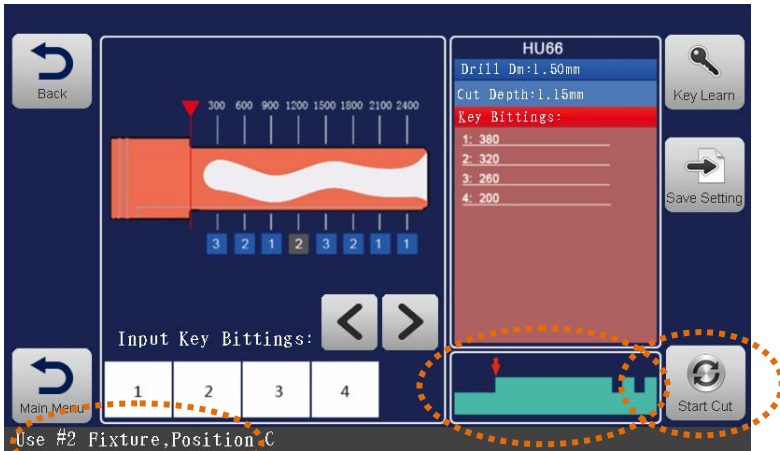


1) Click "Cut by Code"



2)

1. Select or input key blank name
2. Click "Enter" button



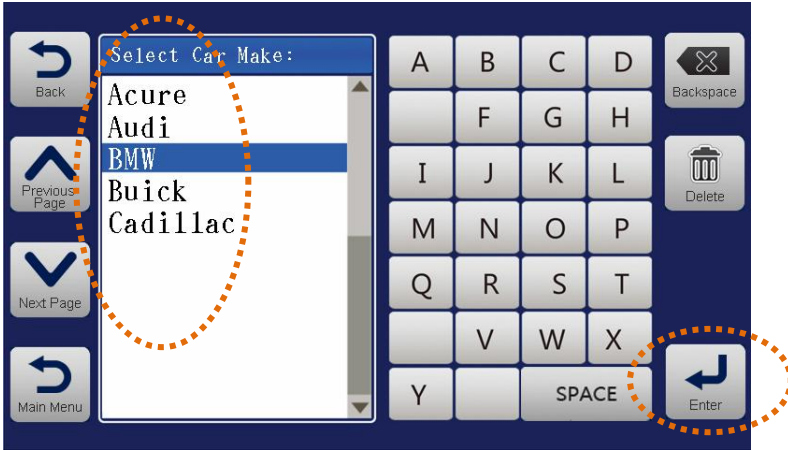
3)

1. Change clamp
2. Input bit code and verify, then click "Start Cut" button to start

6.6 Key cutting method 2 (From key database)

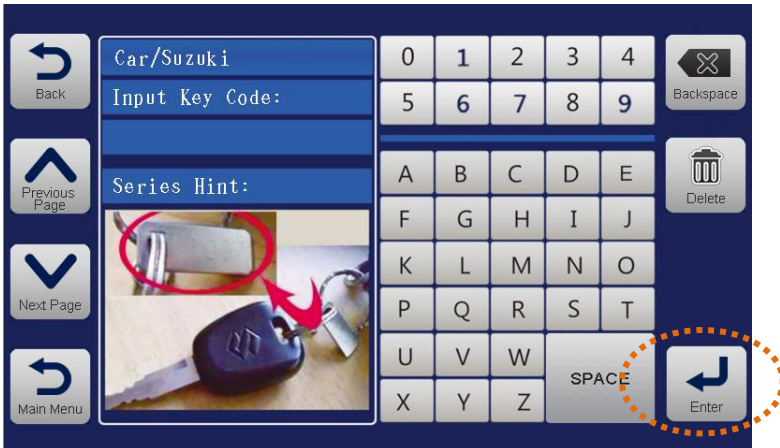


- 1) Click "Key Database" button



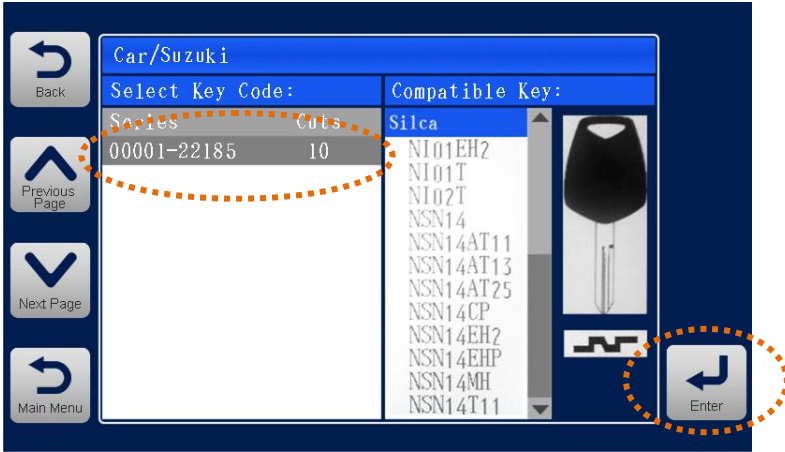
2)

1. Select car make
2. Click "Enter" button



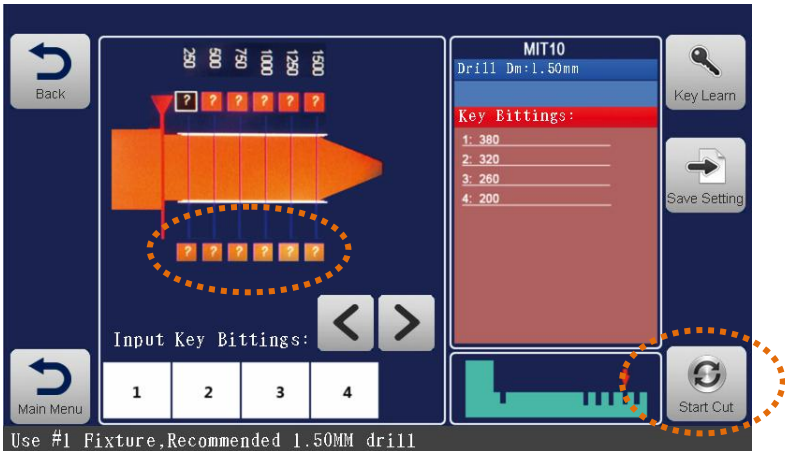
3)

1. Input key code
2. Click "Enter" button



4)

1. Select key series
2. Click "Enter" button



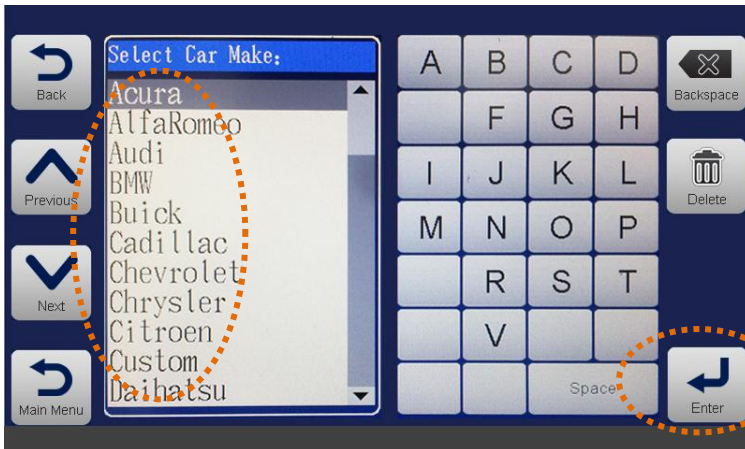
5)

1. Bitting code will be searched from database, and displayed on screen.
2. Click "Start Cut" button to start

6.7 Key cutting method 3 (Copy key from existing key)

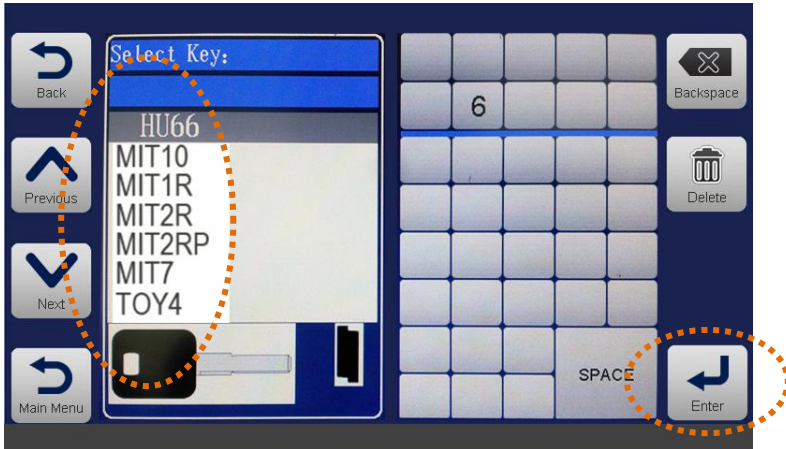


1) Click "Key Copy" button



2)

1. Select car make
2. Click "Enter" button



3)

1. Select or input key blank name
2. Click "Enter" button



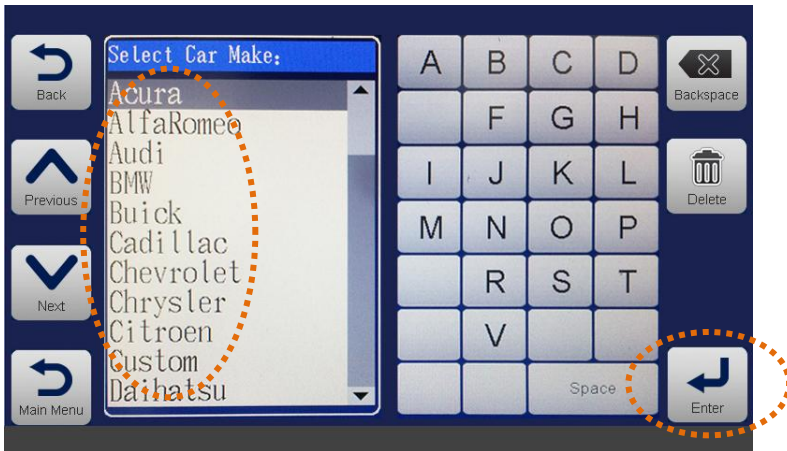
4)

1. Click "Key Learn" button, learned bit code will display on screen
2. Verify bit code, and modify bit code if needed.
3. Click "Start Cut" button to start

6.8 Find bitting

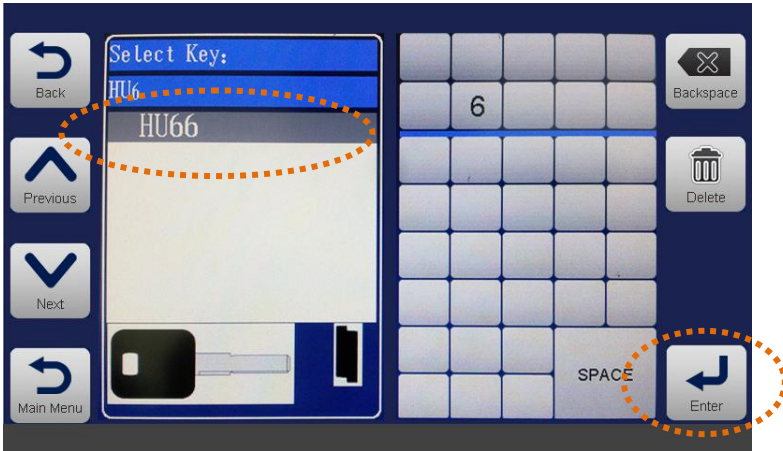


1) Click "Find bitting" button



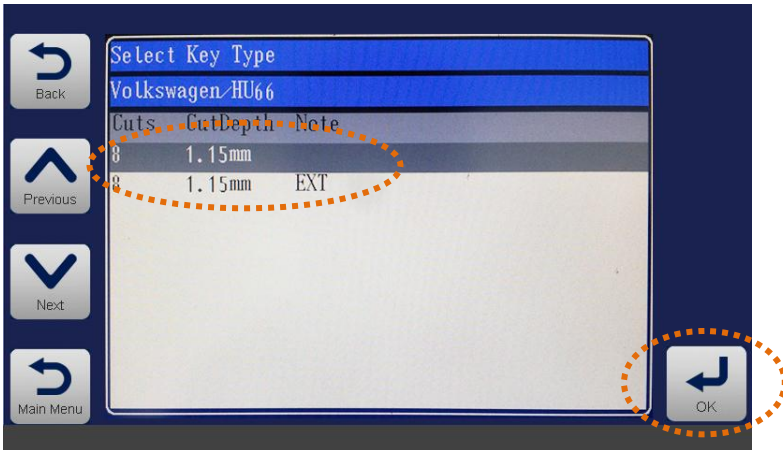
2)

1. Select car make
2. Click "Enter" button



3)

1. Select or input key blank name
2. Click "Enter" button



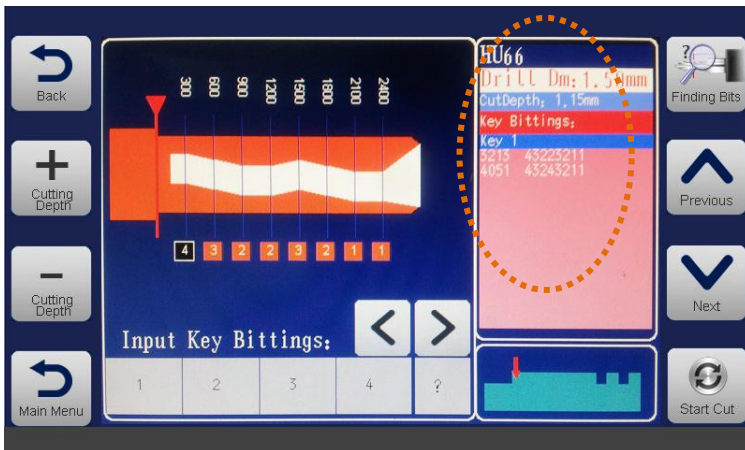
4)

1. Select key type
2. Click "OK" button



5)

1. Input known bit code
2. Input unknown bit code as "?"
3. Click "Find bitting" button



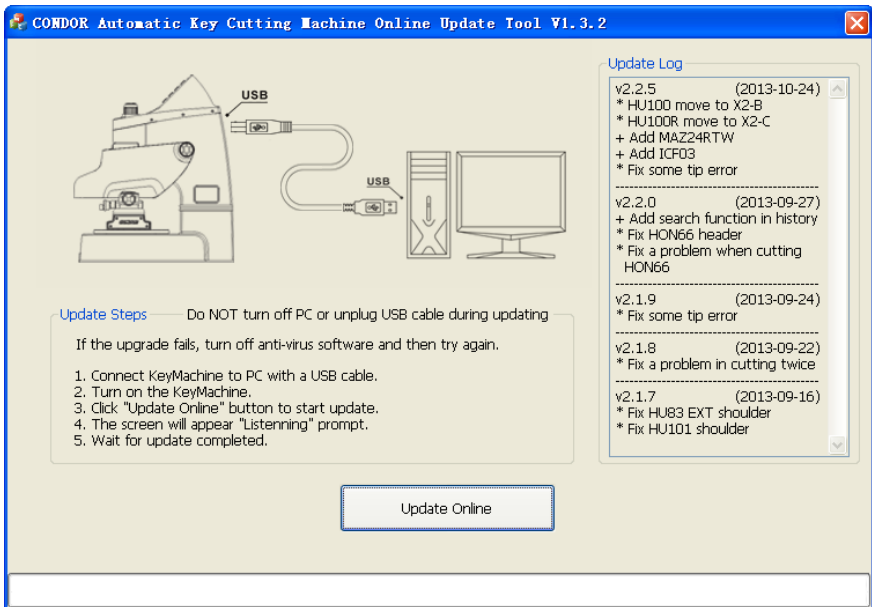
6) Possible bit code was listed. Note that system has sorted the codes by most economical way to save blank keys. For example, the bit codes under "Key 1" only need one blank key, the bit codes under "Key 2" need another one blank key.

7 . Online Update

Please contact your dealer for latest Update Tool.



CONDOR Automatic Key Cutting Machine Online Update Tool.exe



Follow the update steps prompts on the software.

Note:

Download data and upgrade may take a long time, please be patient.